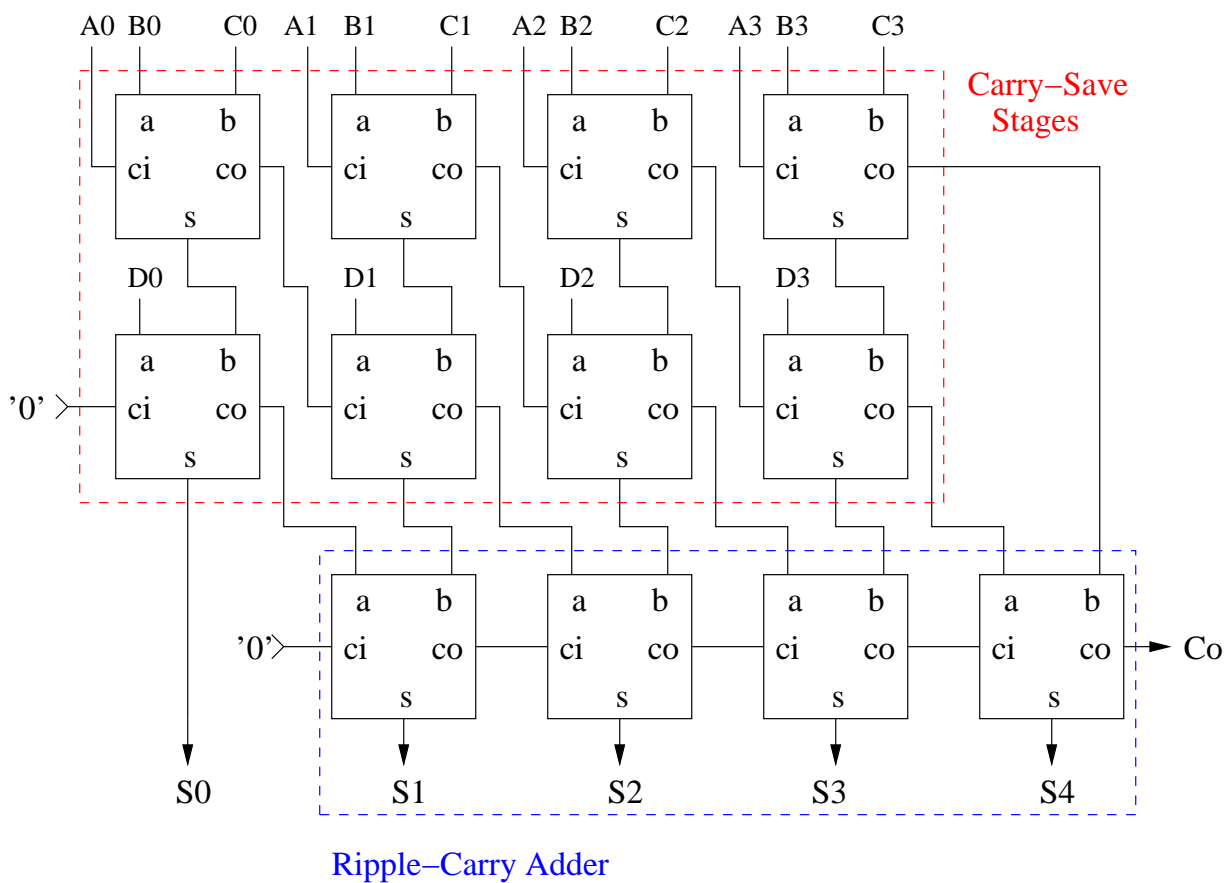


Carry Save Adder (CSaA)

Addition of four 4-Bit Numbers



Note: Carry propagates diagonally through the array of adder cells

Worst case Delay for Addition of N numbers with m-Bit Resolution: $T_{pd} = [N-2+m] \cdot t_{pd}(FA)$